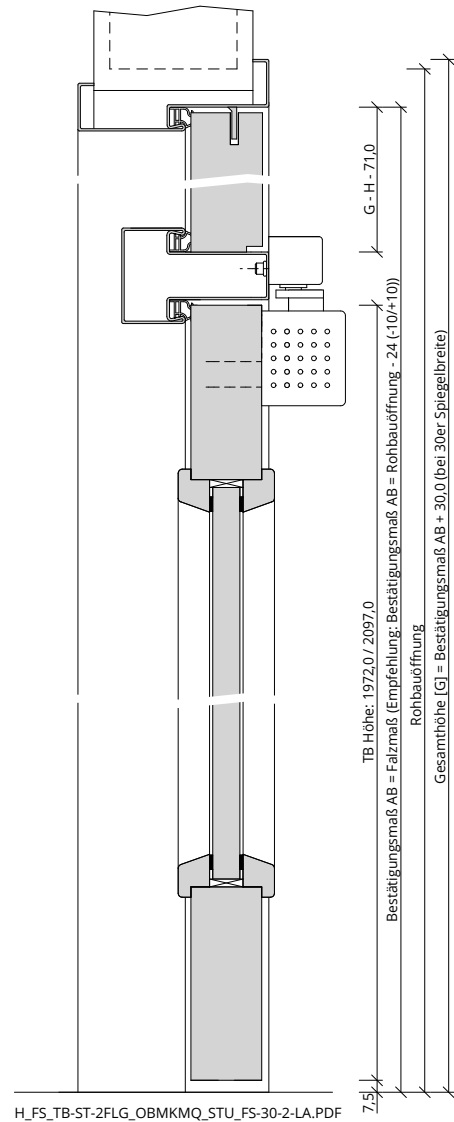
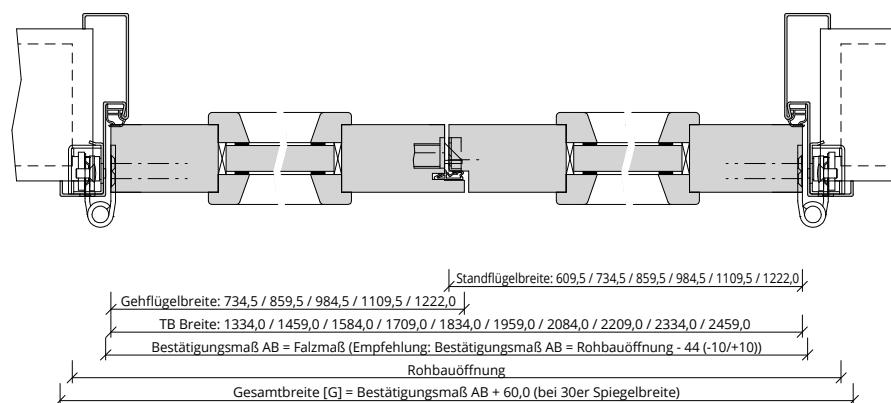


A\_FS\_TB-ST-2FLG\_OBMMQ\_STU\_FS-30-2-LA.pdf



H\_FS\_TB-ST-2FLG\_OBMMQ\_STU\_FS-30-2-LA.PDF



Q\_FS\_TB-ST-2FLG\_OBMMQ\_STU\_FS-30-2-LA.pdf

