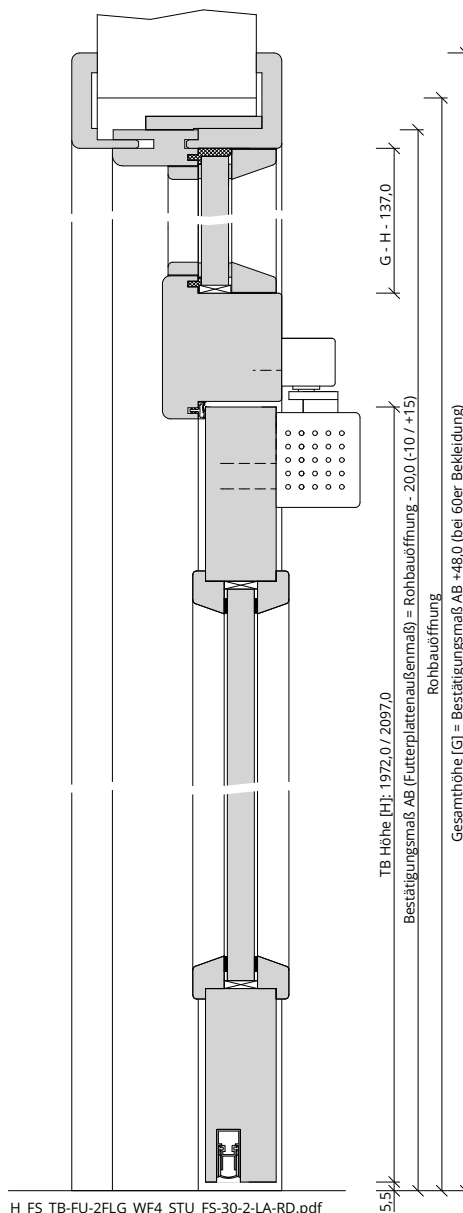
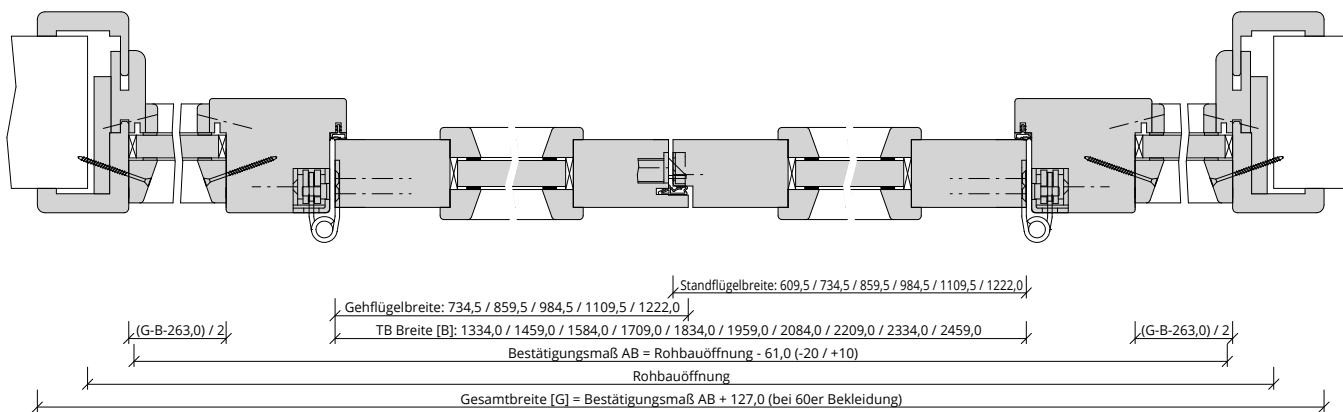


A_FS_TB-FU-2FLG_WF4_STU_FS-30-2-LA-RD.pdf



H_FS_TB-FU-2FLG_WF4_STU_FS-30-2-LA-RD.pdf



Q_FS_TB-FU-2FLG_WF4_STU_FS-30-2-LA-RD.pdf

