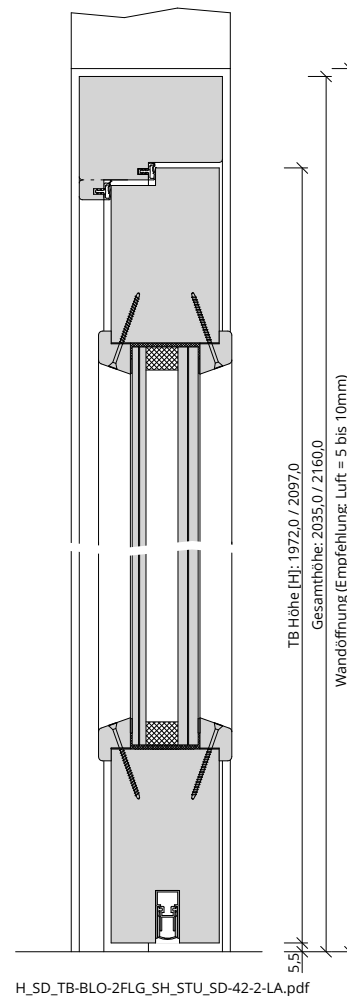
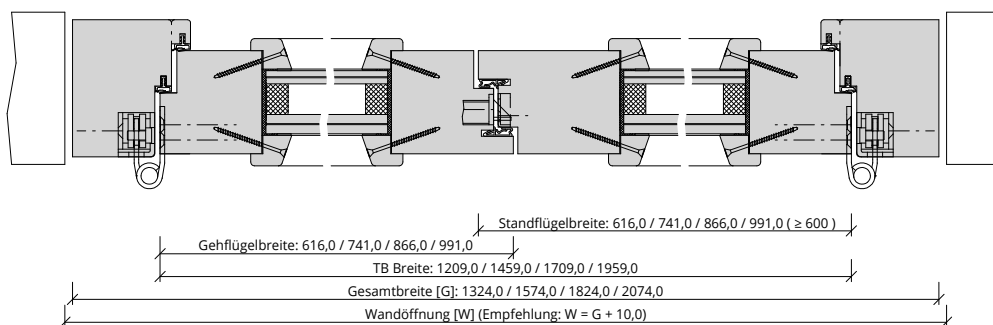


A\_SD\_TB-BLO-2FLG\_SH\_STU\_SD-42-2-LA.pdf



H\_SD\_TB-BLO-2FLG\_SH\_STU\_SD-42-2-LA.pdf



Q\_SD\_TB-BLO-2FLG\_SH\_STU\_SD-42-2-LA.pdf

