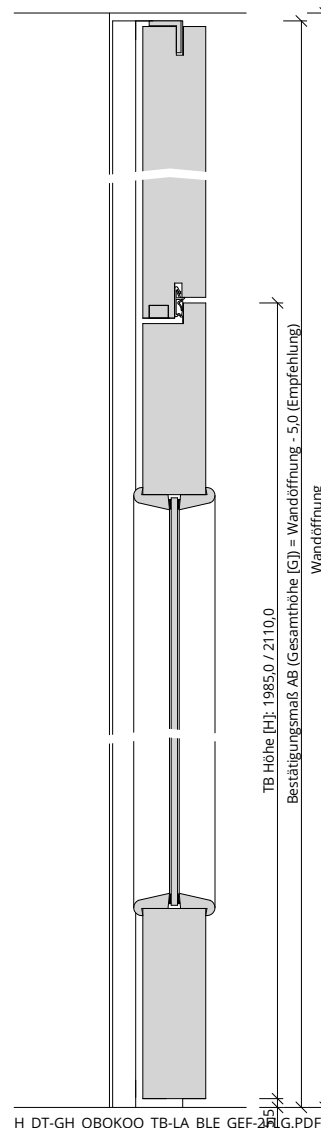
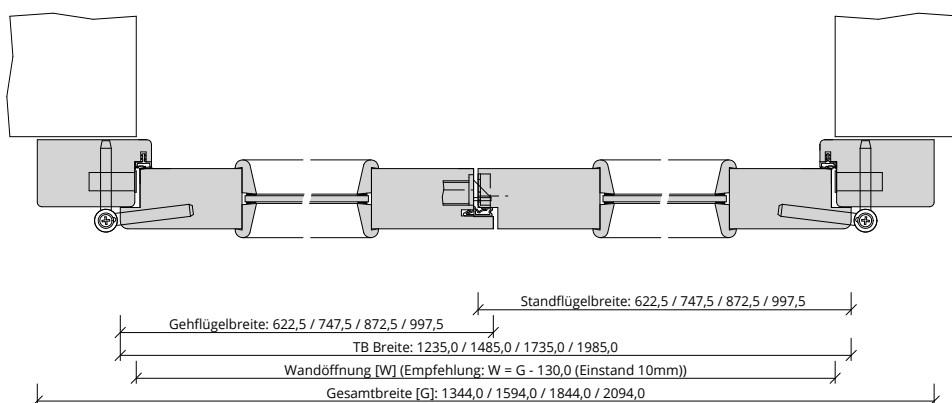


A\_DT-GH\_OBOKOQ\_TB-LA\_BLE\_GEF-2FLG.PDF



H\_DT-GH\_OBOKOQ\_TB-LA\_BLE\_GEF-2FLG.PDF



Q\_DT-GH\_OBOKOQ\_TB-LA\_BLE\_GEF-2FLG.PDF

