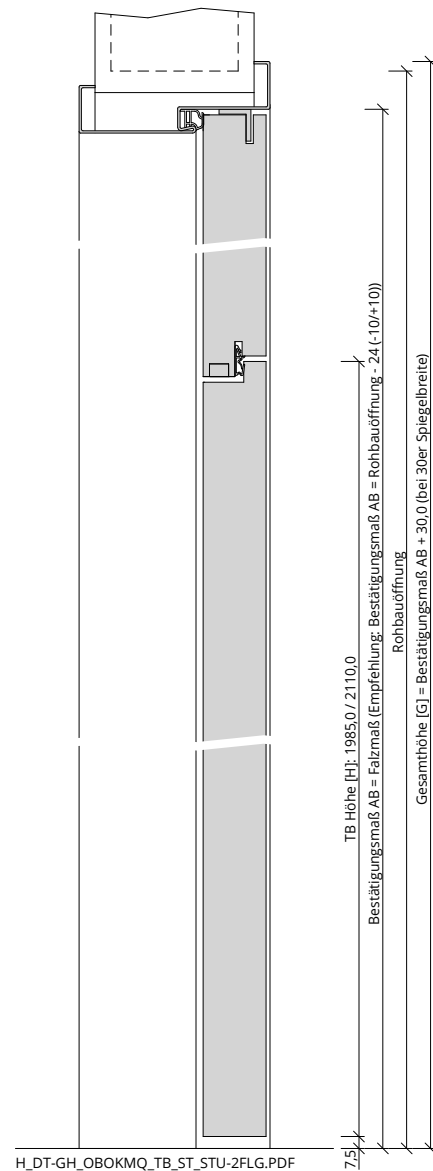
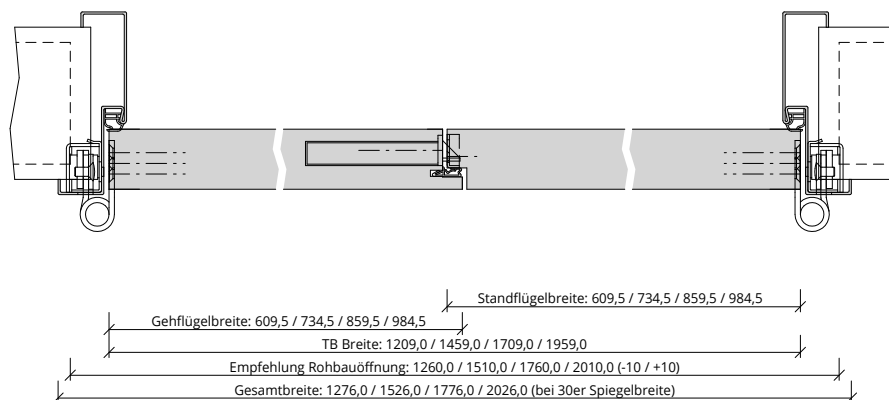


A_DT-GH_OBOKMQ_TB_ST_STU-2FLG.PDF



H_DT-GH_OBOKMQ_TB_ST_STU-2FLG.PDF



Q_DT-GH_OBOKMQ_TB_ST_STU-2FLG.PDF

