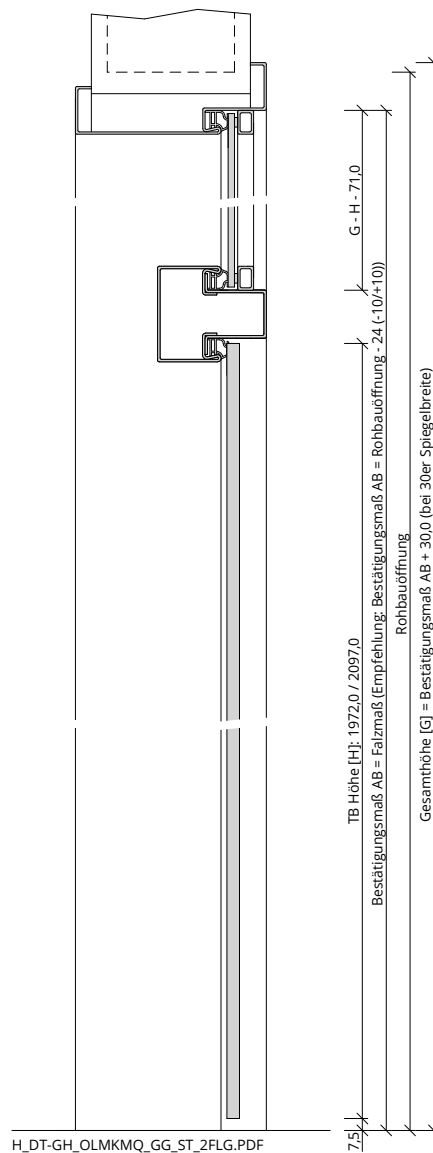
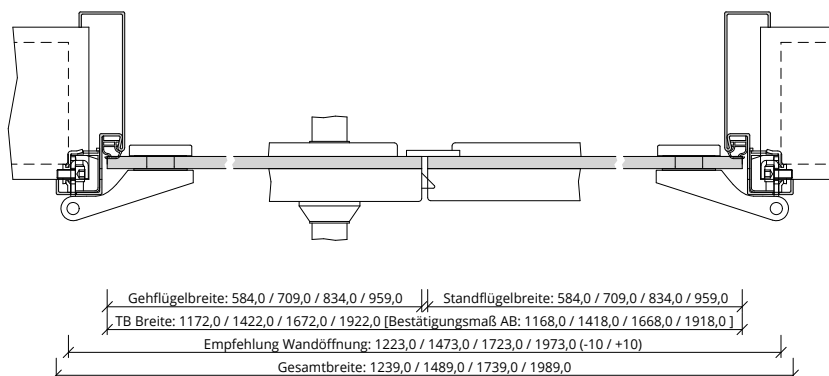


A\_DT-GH\_OLMKMQ\_GG\_ST\_2FLG.PDF



H\_DT-GH\_OLMKMQ\_GG\_ST\_2FLG.PDF



Q\_DT-GH\_OLMKMQ\_GG\_ST\_2FLG.PDF

