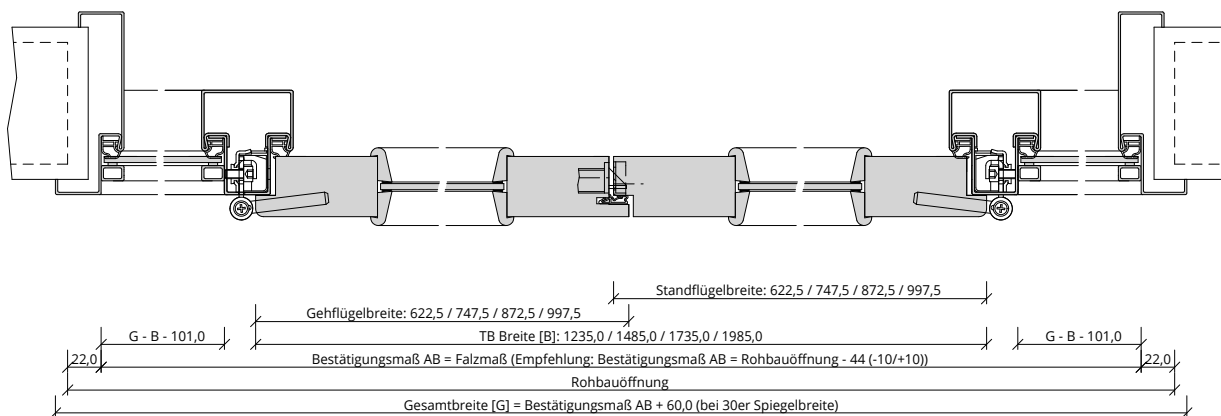
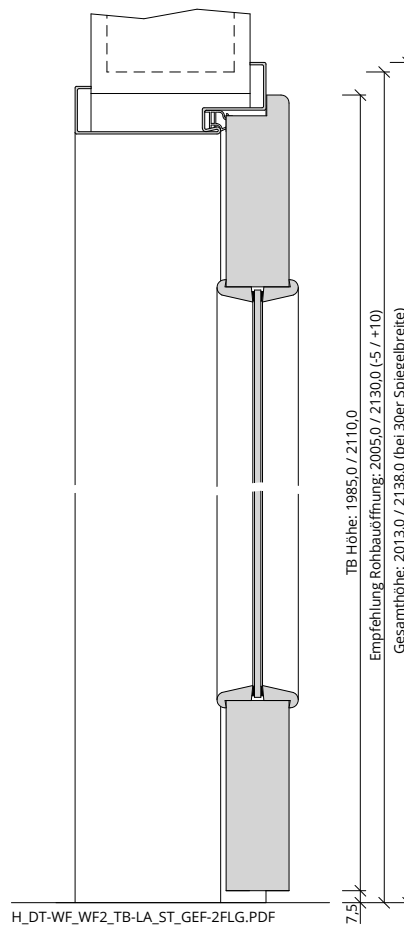


A_DT-WF_WF2_TB-LA_ST_GEF-2FLG.PDF



Q_DT-WF_WF2_TB-LA_ST_GEF-2FLG.pdf

