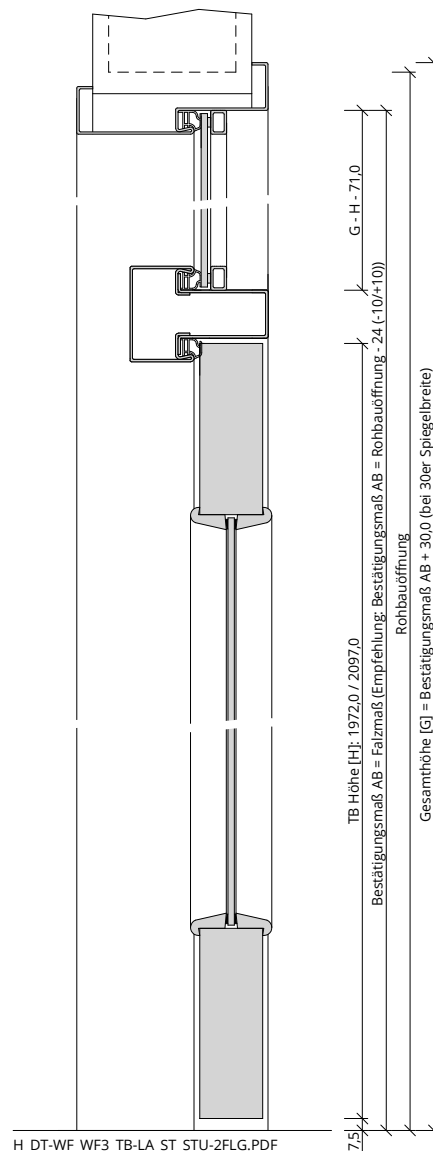
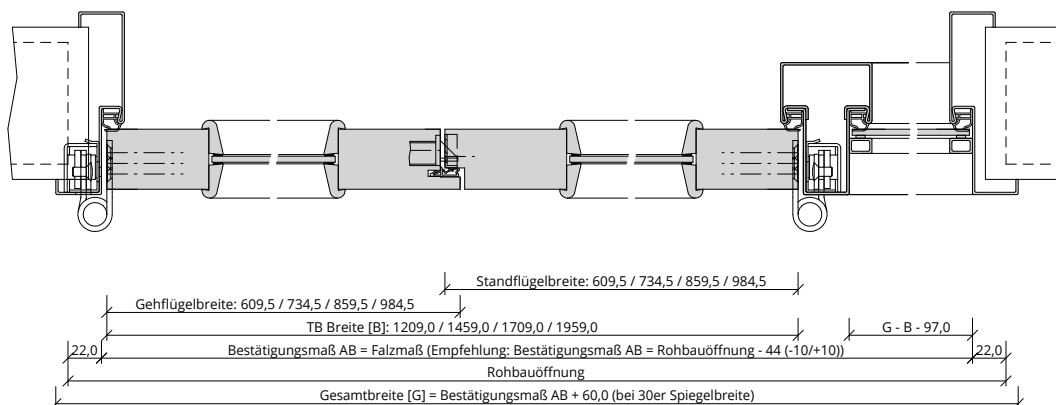


A\_DT-WF\_WF3\_TB-LA\_ST\_STU-2FLG.PDF



H\_DT-WF\_WF3\_TB-LA\_ST\_STU-2FLG.PDF



Q\_DT-WF\_WF3\_TB-LA\_ST\_STU-2FLG.pdf

