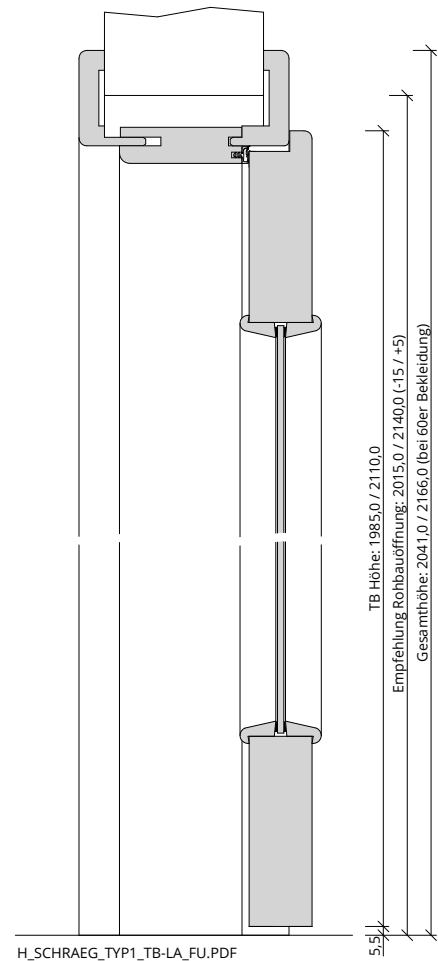
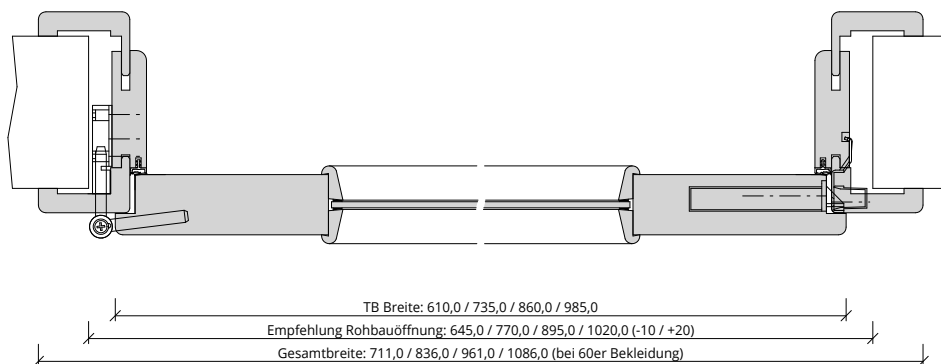


A\_SCHRAEG\_TYP1\_TB-LA\_FU.PDF



H\_SCHRAEG\_TYP1\_TB-LA\_FU.PDF



Q\_SCHRAEG\_TYP1\_TB-LA\_FU.PDF

