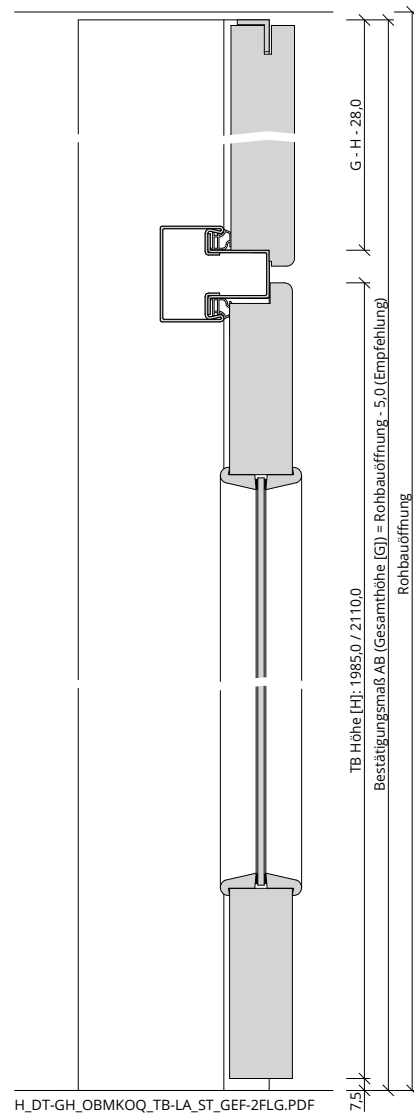
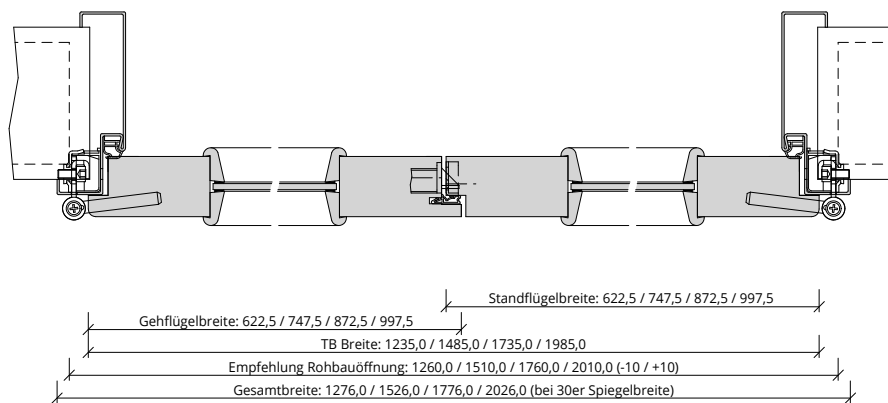


A\_DT-GH\_OBMKOQ\_TB-LA\_ST\_GEF-2FLG.PDF



H\_DT-GH\_OBMKOQ\_TB-LA\_ST\_GEF-2FLG.PDF



Q\_DT-GH\_OBMKOQ\_TB-LA\_ST\_GEF-2FLG.PDF

