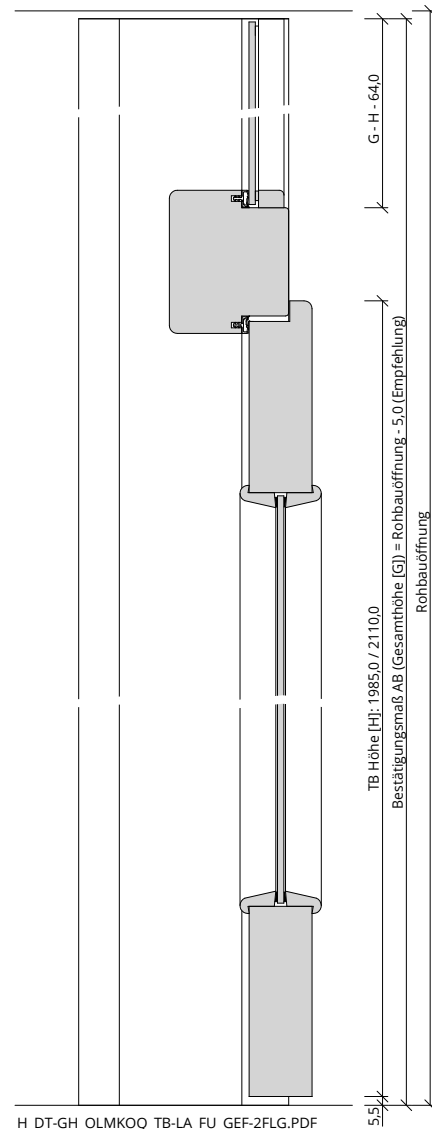
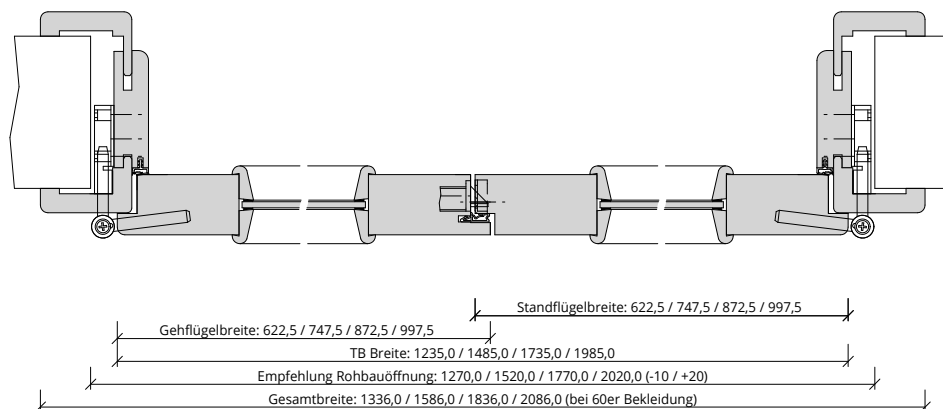


A\_DT-GH\_OLMKOQ\_TB-LA\_FU\_GEF-2FLG.PDF



H\_DT-GH\_OLMKOQ\_TB-LA\_FU\_GEF-2FLG.PDF



Q\_DT-GH\_OLMKOQ\_TB-LA\_FU\_GEF-2FLG.PDF

