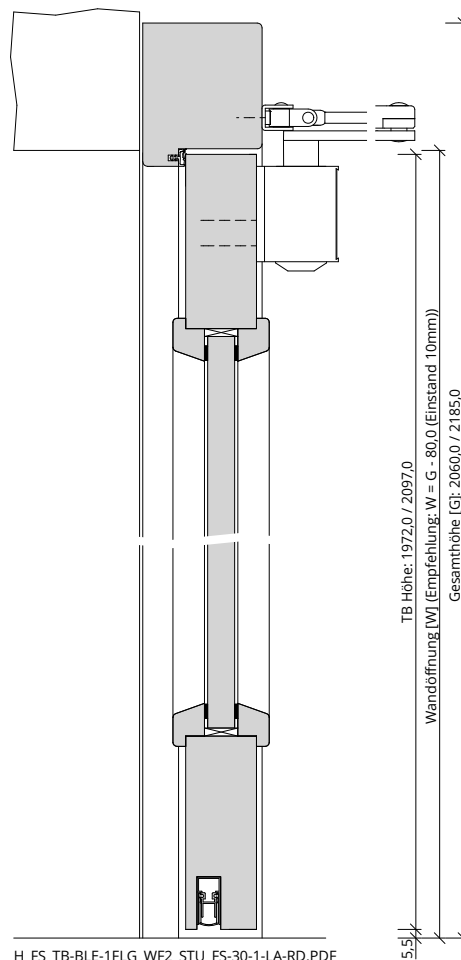
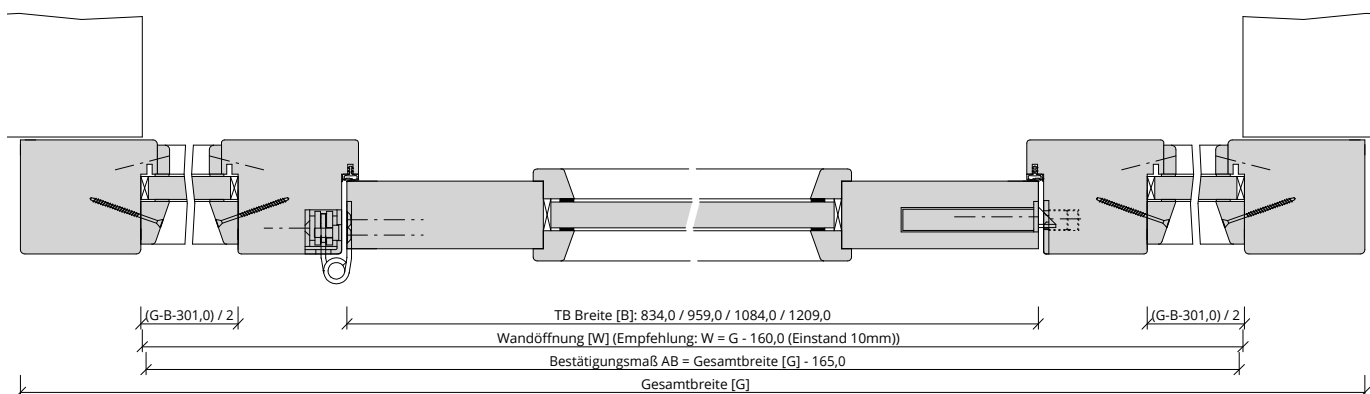


A_FS_TB-BLE-1FLG_WF2_STU_FS-30-1-LA-RD.pdf



H_FS_TB-BLE-1FLG_WF2_STU_FS-30-1-LA-RD.PDF



Q_FS_TB-BLE-1FLG_WF2_STU_FS-30-1-LA-RD.pdf

