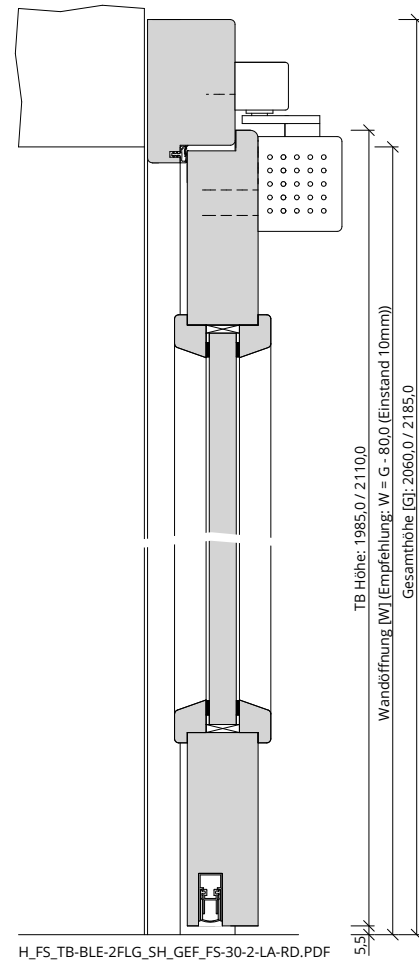
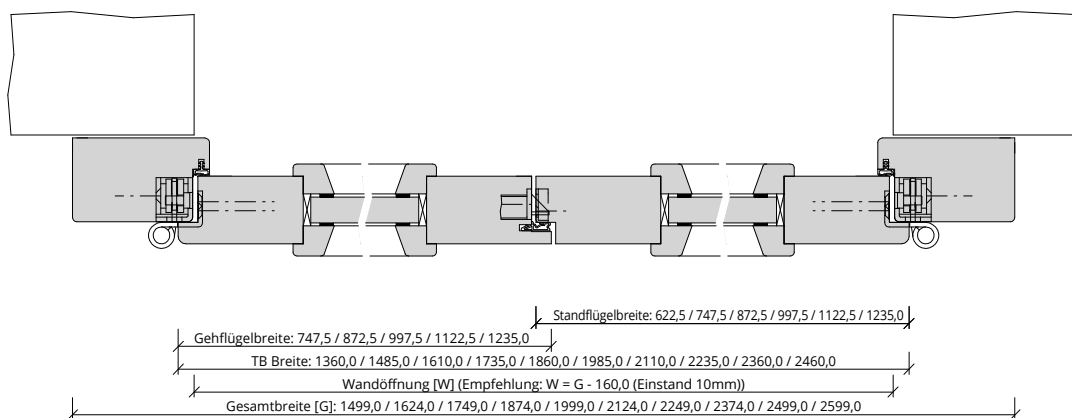


A\_FS\_TB-BLE-2FLG\_SH\_GEF\_FS-30-2-LA-RD.pdf



H\_FS\_TB-BLE-2FLG\_SH\_GEF\_FS-30-2-LA-RD.PDF



Q\_FS\_TB-BLE-2FLG\_SH\_GEF\_FS-30-2-LA-RD.pdf

