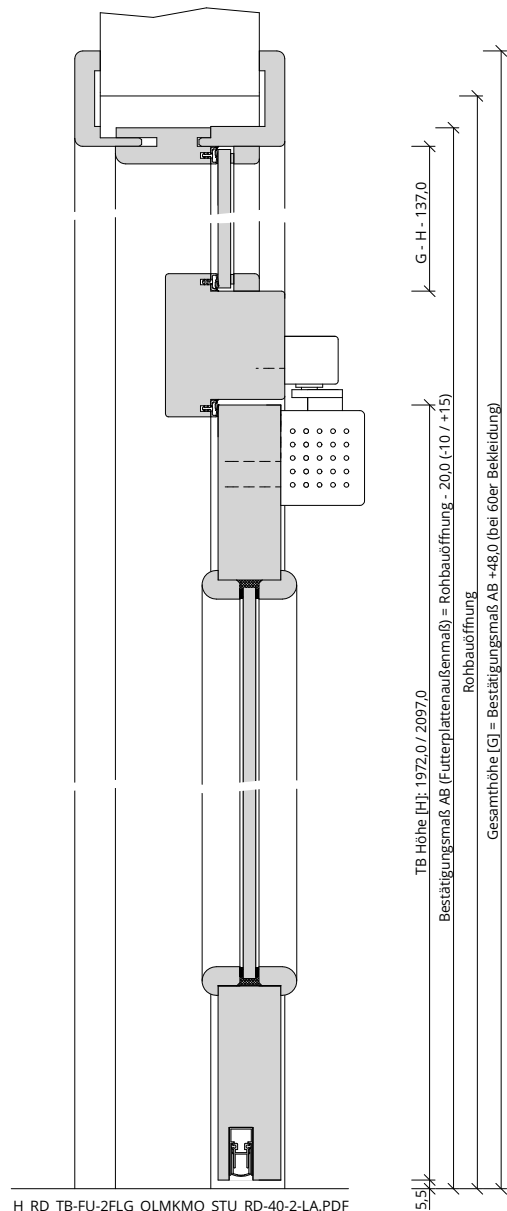
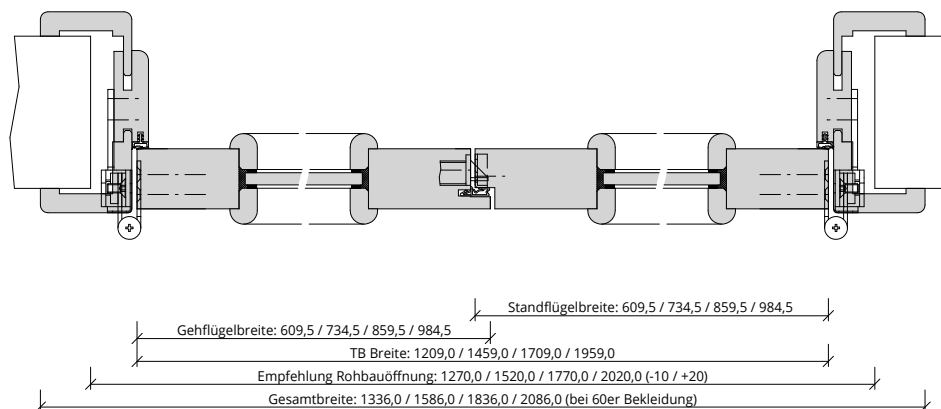


A\_RD\_TB-FU-2FLG\_OLMKMQ\_STU\_RD-40-2-LA.PDF



H\_RD\_TB-FU-2FLG\_OLMKMQ\_STU\_RD-40-2-LA.PDF



Q\_RD\_TB-FU-2FLG\_OLMKMQ\_STU\_RD-40-2-LA.PDF

