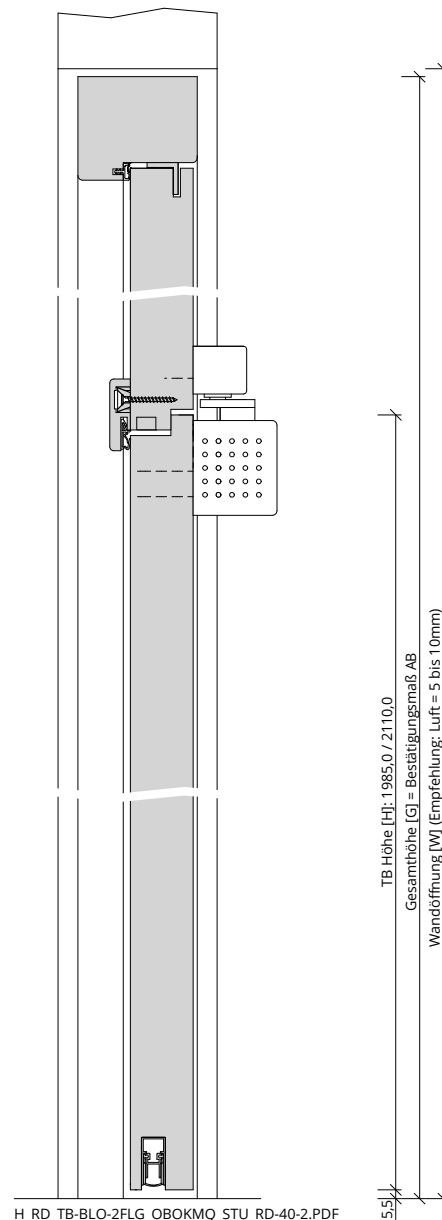
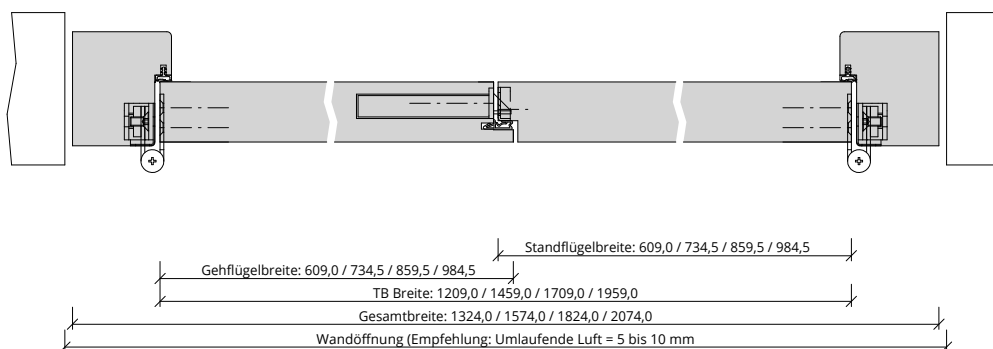


A\_RD\_TB-BLO-2FLG\_OBOKMQ\_STU\_RD-40-2.PDF



H\_RD\_TB-BLO-2FLG\_OBOKMQ\_STU\_RD-40-2.PDF



Q\_RD\_TB-BLO-2FLG\_OBOKMQ\_STU\_RD-40-2.PDF

