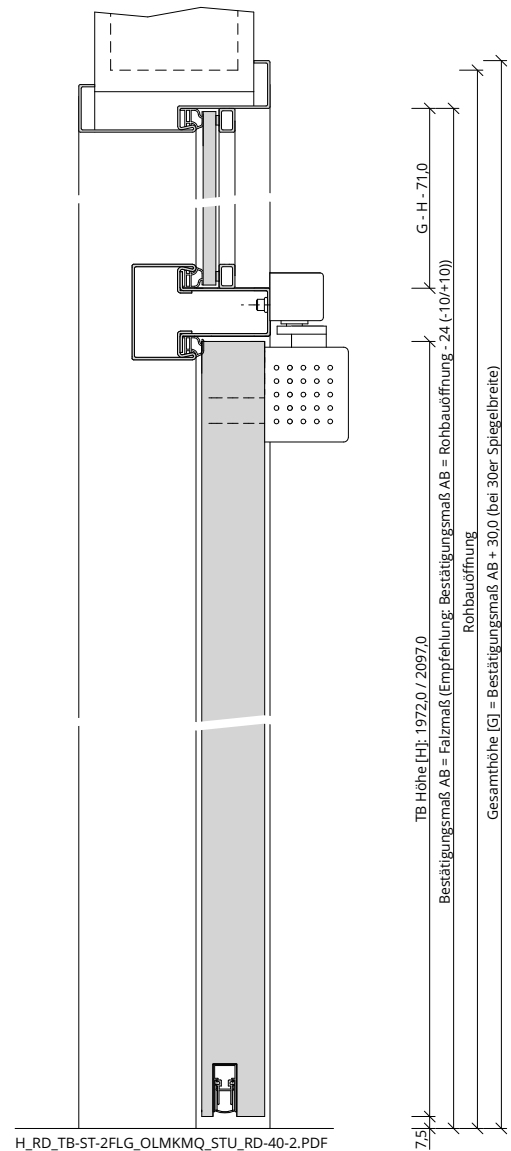
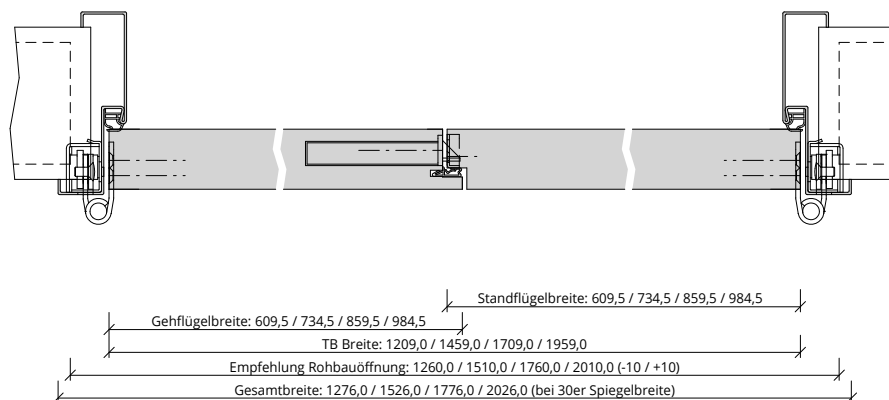


A_RD_TB-ST-2FLG_OLMKMQ_STU_RD-40-2.PDF



H_RD_TB-ST-2FLG_OLMKMQ_STU_RD-40-2.PDF



Q_RD_TB-ST-2FLG_OLMKMQ_STU_RD-40-2.PDF

