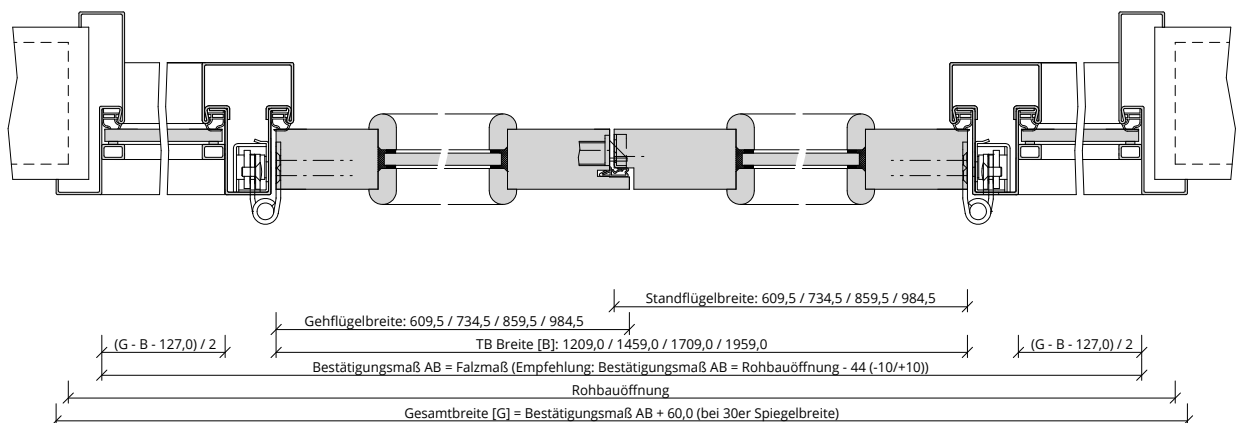
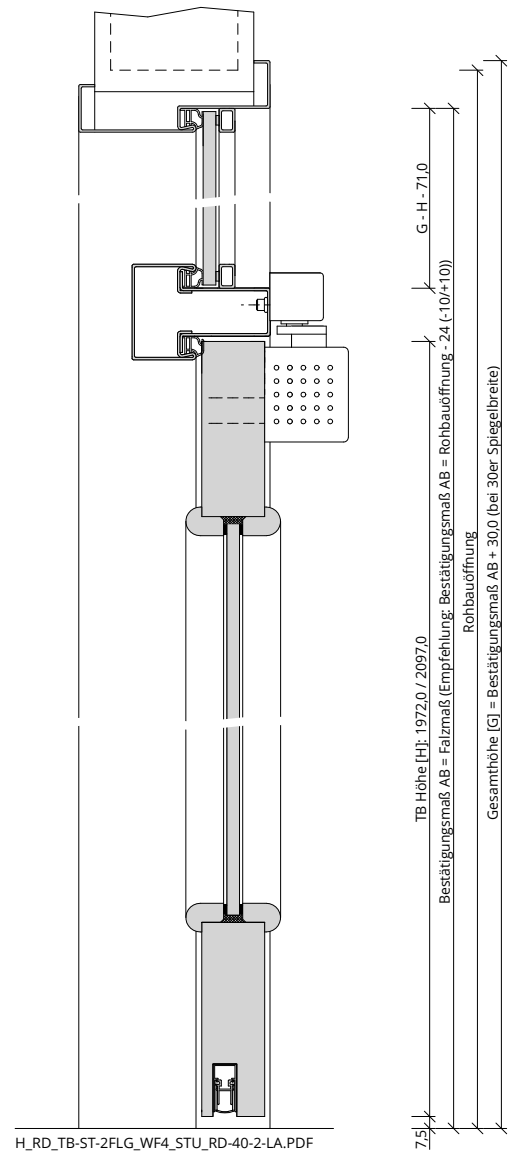


A_RD_TB-ST-2FLG_WF4_STU_RD-40-2-LA.PDF



Q_RD_TB-ST-2FLG_WF4_STU_RD-40-2-LA.pdf

