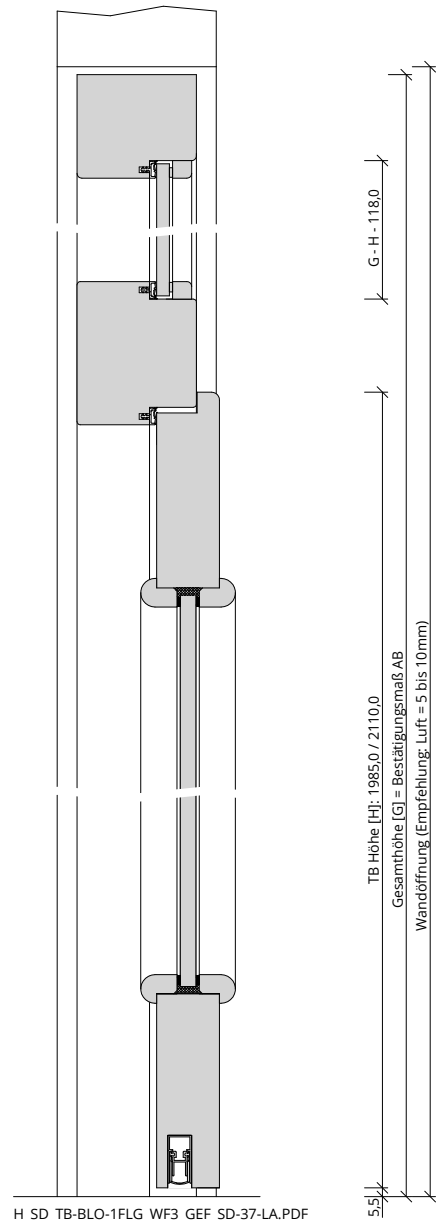
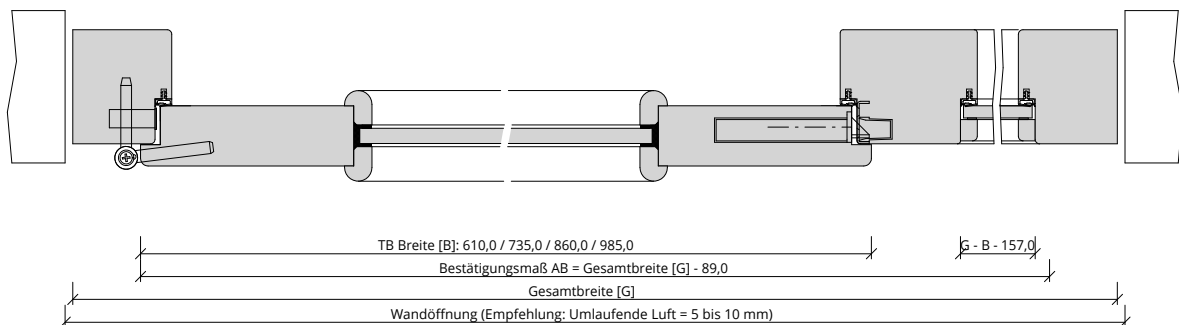


A\_SD\_TB-BLO-1FLG\_WF3\_GEF\_SD-37-LA.PDF



H\_SD\_TB-BLO-1FLG\_WF3\_GEF\_SD-37-LA.PDF



Q\_SD\_TB-BLO-1FLG\_WF3\_GEF\_SD-37-LA.PDF

