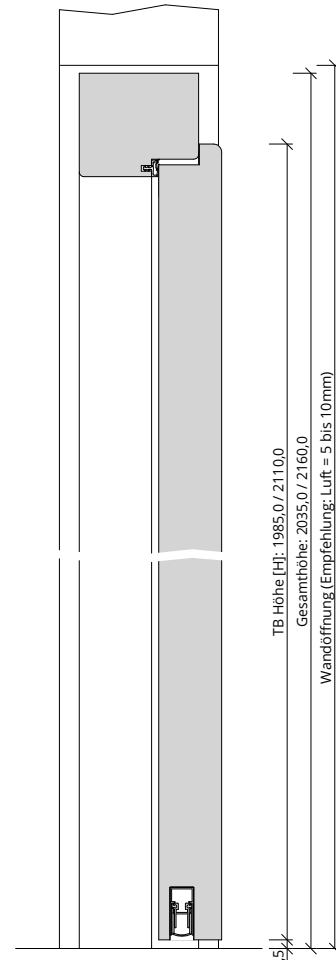
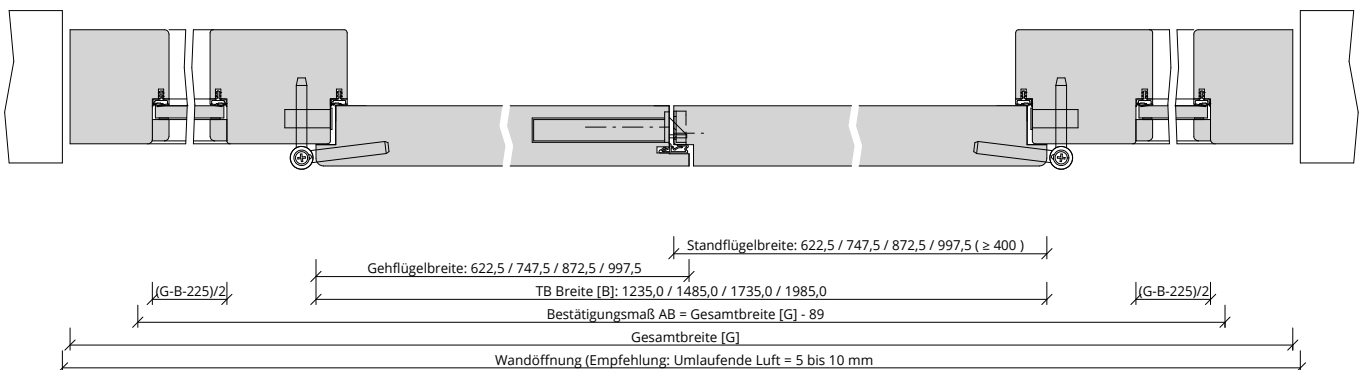


A\_SD\_TB-BLO-2FLG\_WF2\_GEF\_SD-32-2.PDF



H\_SD\_TB-BLO-2FLG\_WF2\_GEF\_SD-32-2.PDF



Q\_SD\_TB-BLO-2FLG\_WF2\_GEF\_SD-32-2.pdf

