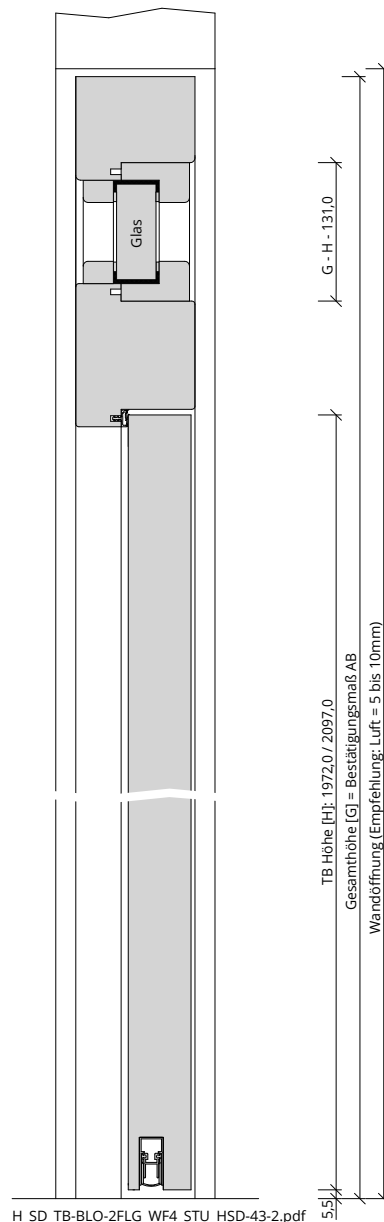
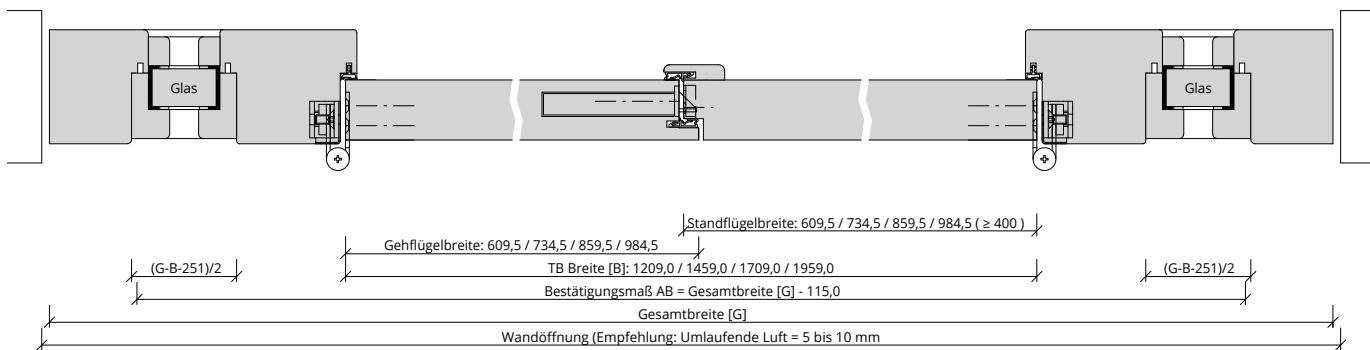


A\_SD\_TB-BLO-2FLG\_WF4\_STU\_HSD-43-2.pdf



H\_SD\_TB-BLO-2FLG\_WF4\_STU\_HSD-43-2.pdf



Q\_SD\_TB-BLO-2FLG\_WF4\_STU\_HSD-43-2.pdf

