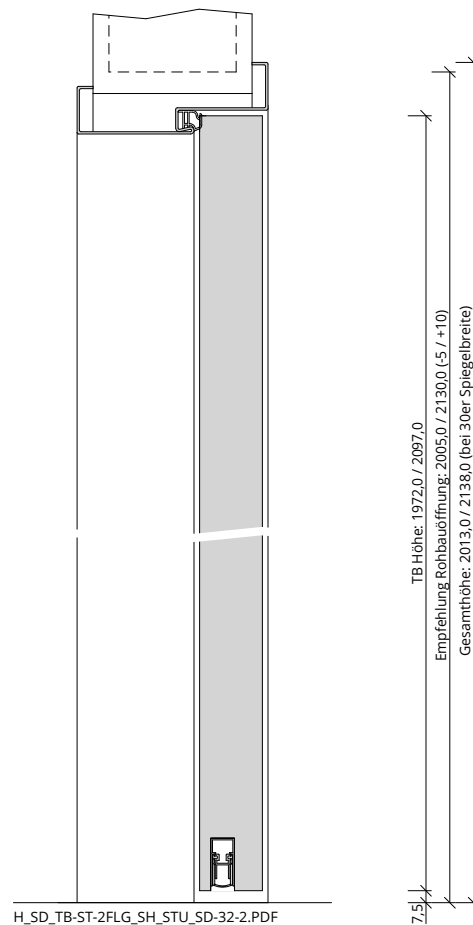
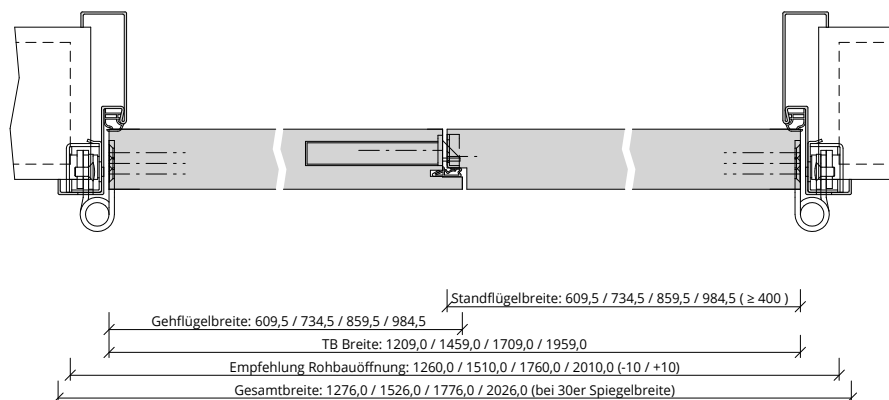


A_SD_TB-ST-2FLG_SH_STU_SD-32-2.pdf



H_SD_TB-ST-2FLG_SH_STU_SD-32-2.PDF



Q_SD_TB-ST-2FLG_SH_STU_SD-32-2.pdf

