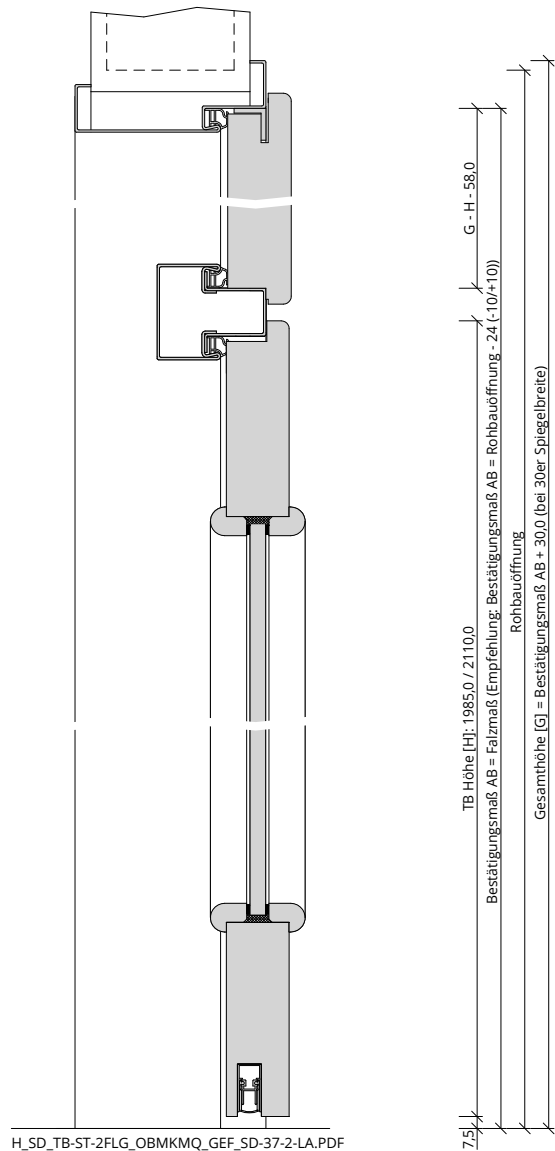
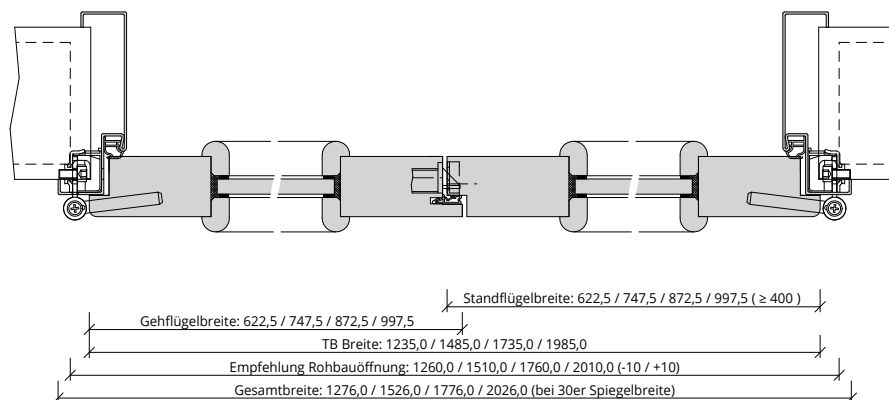


A\_SD\_TB-ST-2FLG\_OBMKMQ\_GEF\_SD-37-2-LA.PDF



H\_SD\_TB-ST-2FLG\_OBMKMQ\_GEF\_SD-37-2-LA.PDF



Q\_SD\_TB-ST-2FLG\_OBMKMQ\_GEF\_SD-37-2-LA.pdf

