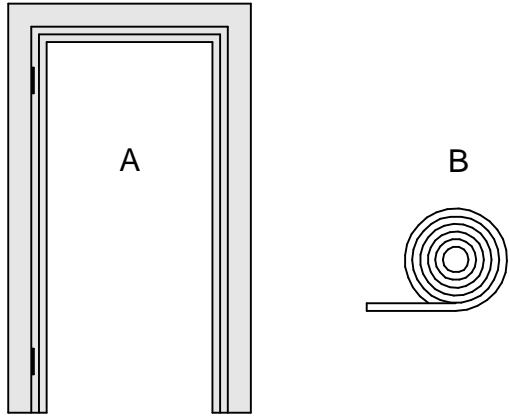
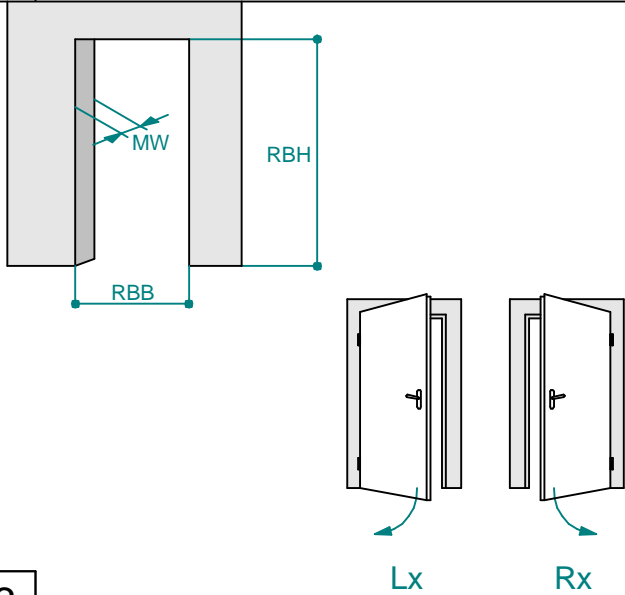


A	M-LINE frame with welded corners
B	rubber seal



1



3

