

ITS 96 / ITS 96 FL

+ G 96 N 20

Montageanleitung / mounting instructions

ITS 96 FL

	DORMA GmbH & Co. KG Postfach 4009 58 247 Ennepetal	12
0432-CPD-0037	EN 1155:1997+A1:2002	3 8 3-6 1 1 4

DOP_0069

ITS 96 FL

	DORMA GmbH & Co. KG Postfach 4009 58 247 Ennepetal	13
0432-CPD-0189	EN 1154:1996+A1:2002	3 8 3-6 1 1 4

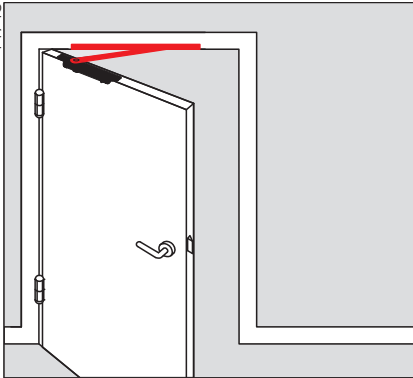
DOP_0069

ITS 96

	dormakaba Deutschland GmbH Postfach 4009 58 247 Ennepetal	04
0432-CPR-00026-31	EN 1154:1996+A1:2002	3 8 2-4 1 1 4 3 8 3-6 1 1 4

DOP_0051

WN 058219 45532_02/20
14/7/15



G 96 N20
DIN L 52 00 37 01
DIN R 52 00 38 01

ITS 96
EN 2-4 52 40 01 50
EN 3-6 52 25 01 50

ITS 96 FL
EN 3-6 52 63 01 50

A

B

ITS 96
EN 2-4 52 41 01 50
EN 3-6 52 26 01 50

ITS 96 FL
EN 3-6 52 64 01 50

C

D

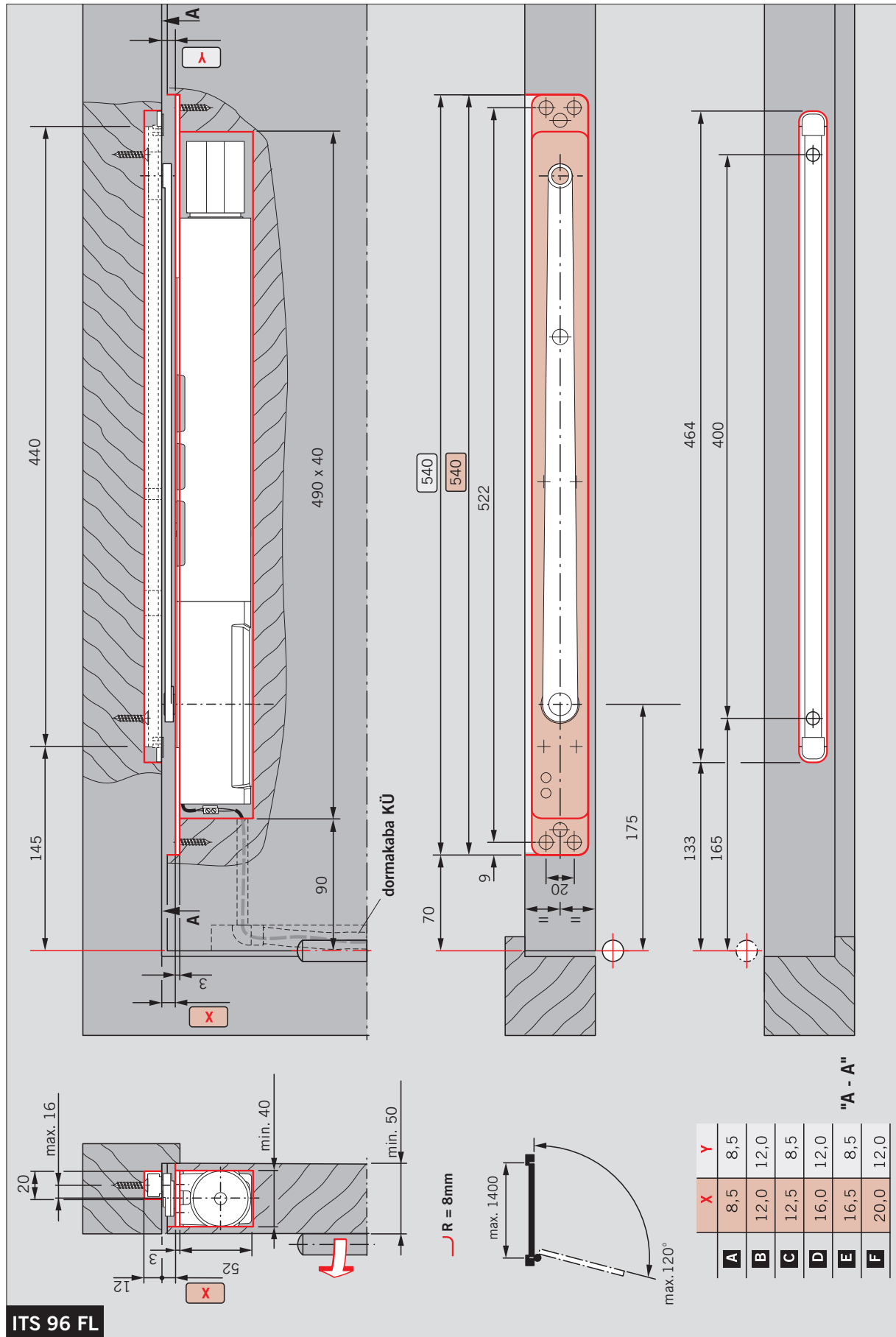
ITS 96
EN 2-4 52 42 01 50
EN 3-6 52 27 01 50

ITS 96 FL
EN 3-6 52 65 01 50

E

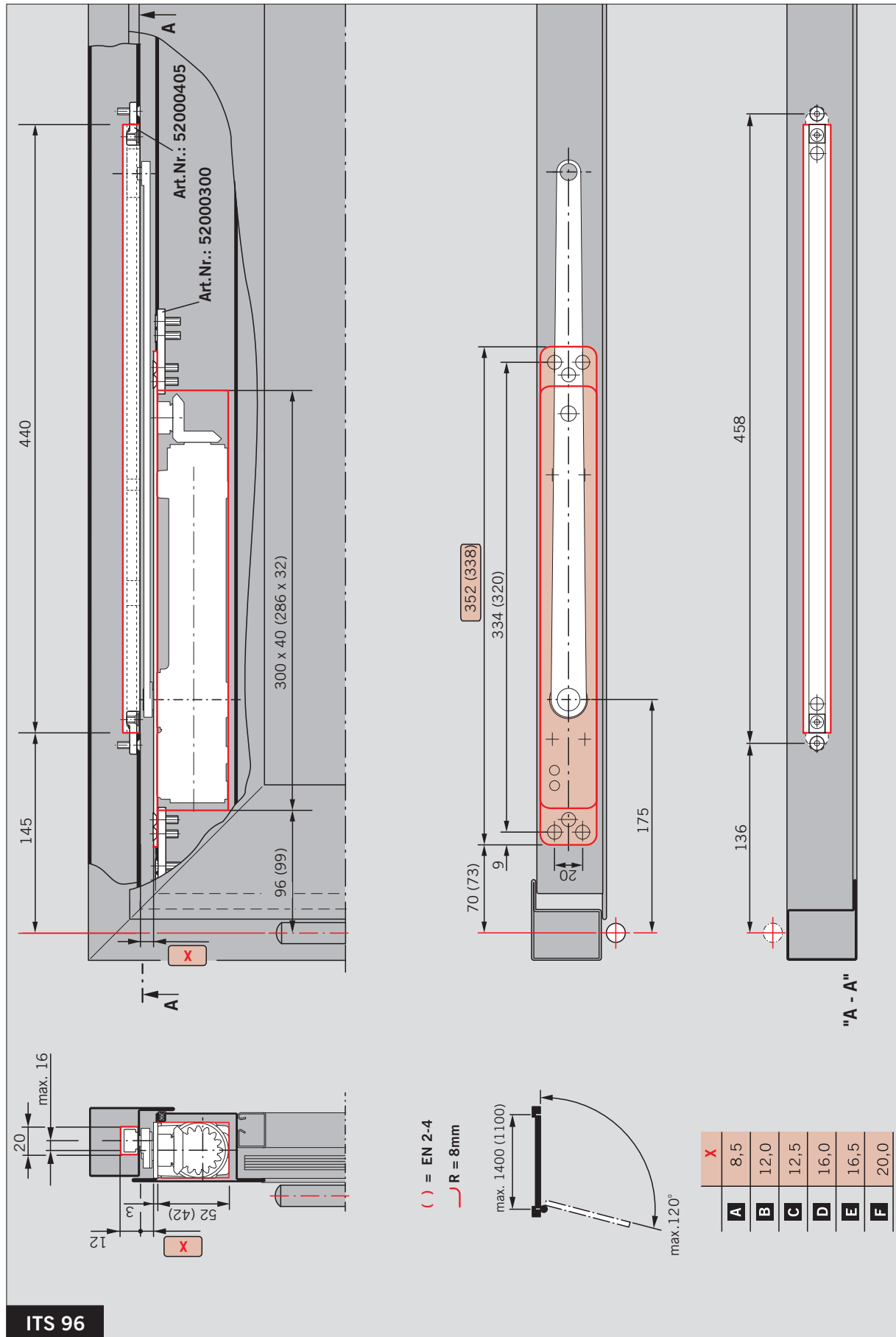
F

ITS 96 / ITS 96 FL + G 96 N 20

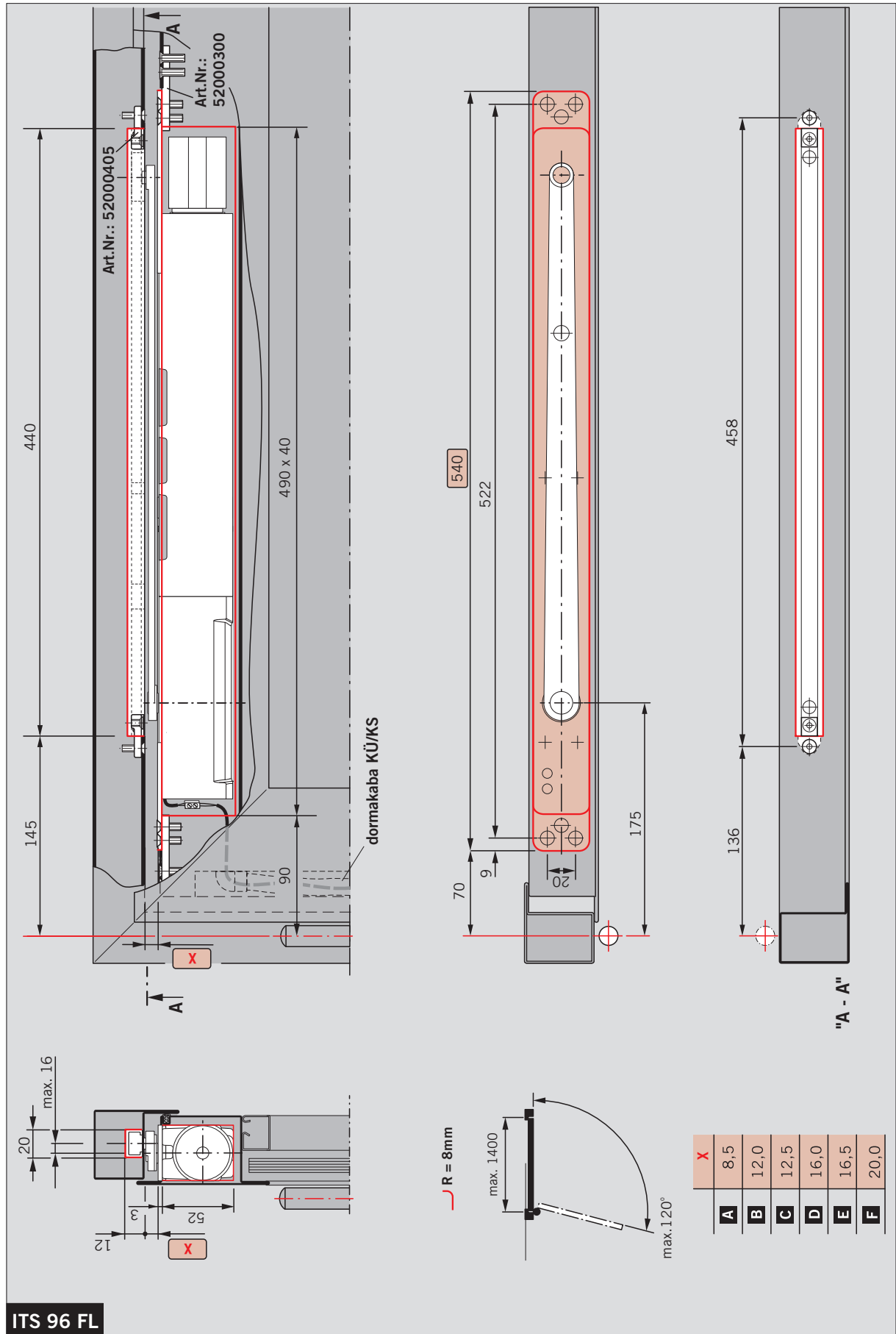


ITS 96 FL

ITS 96 / ITS 96 FL
+ G 96 N 20

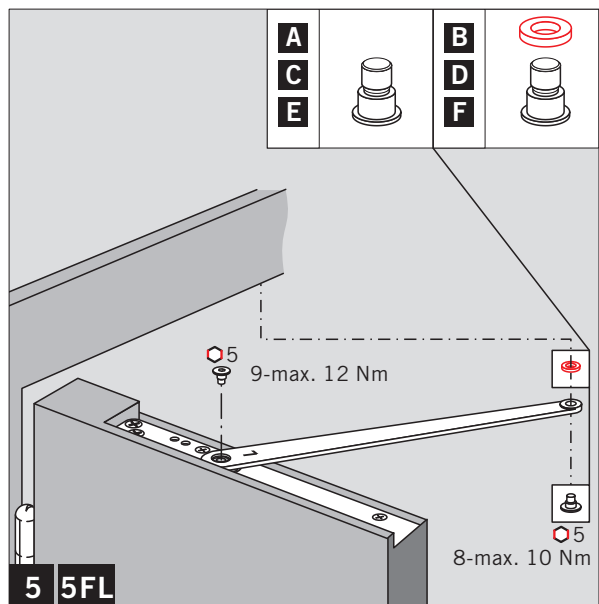
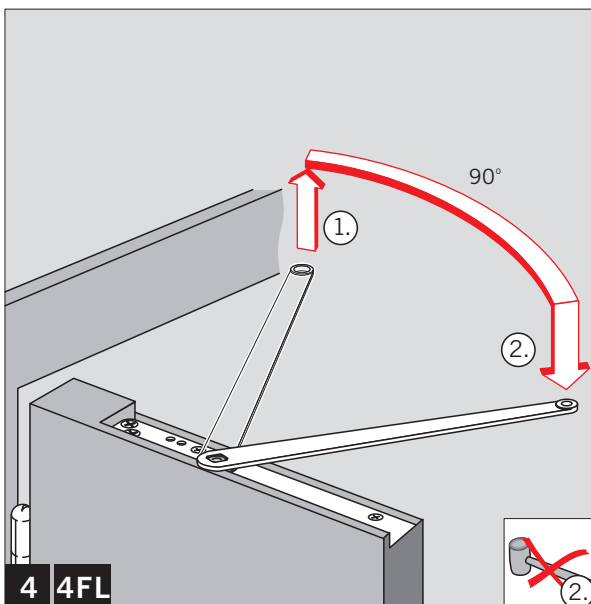
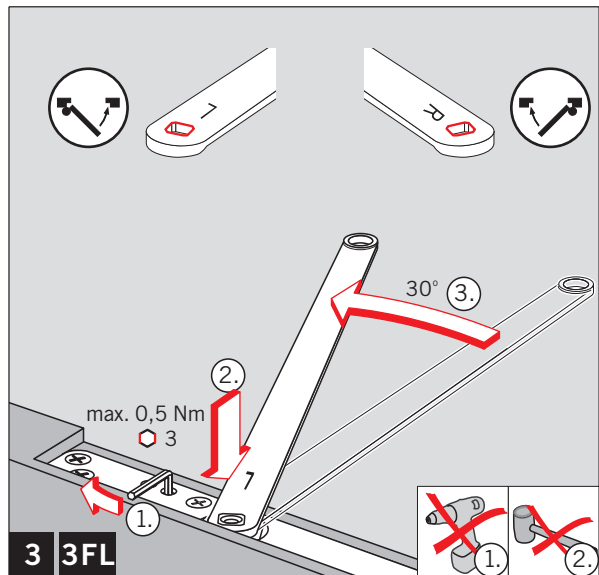
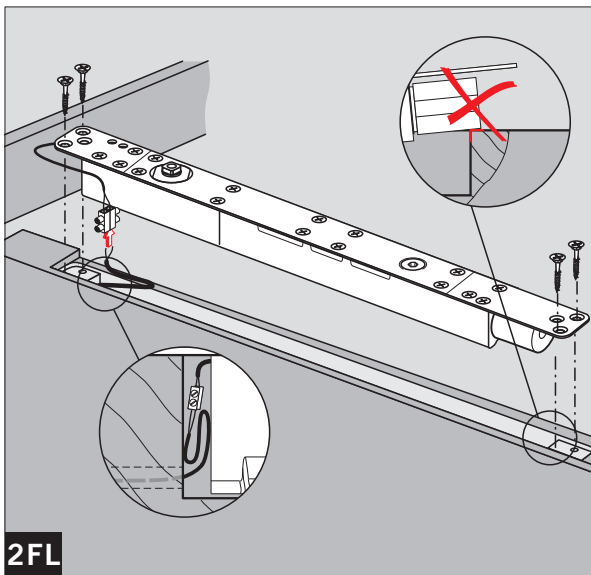
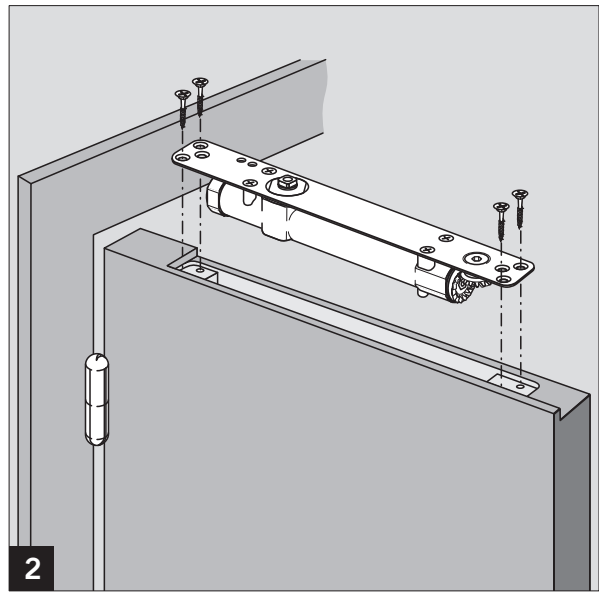
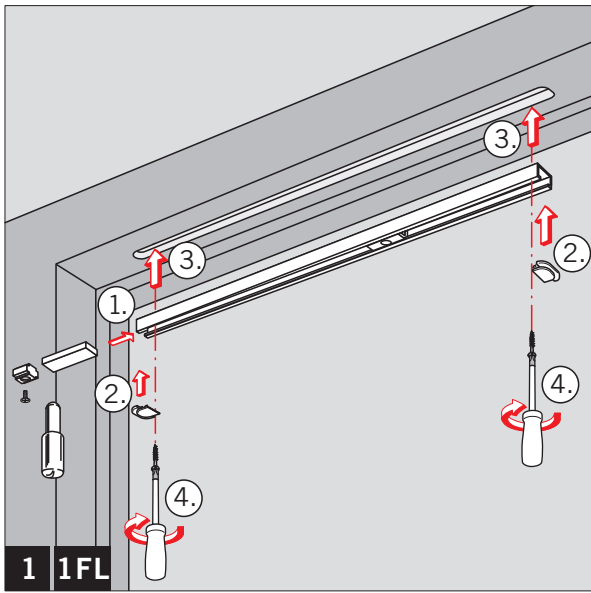


ITS 96 / ITS 96 FL
+ G 96 N 20

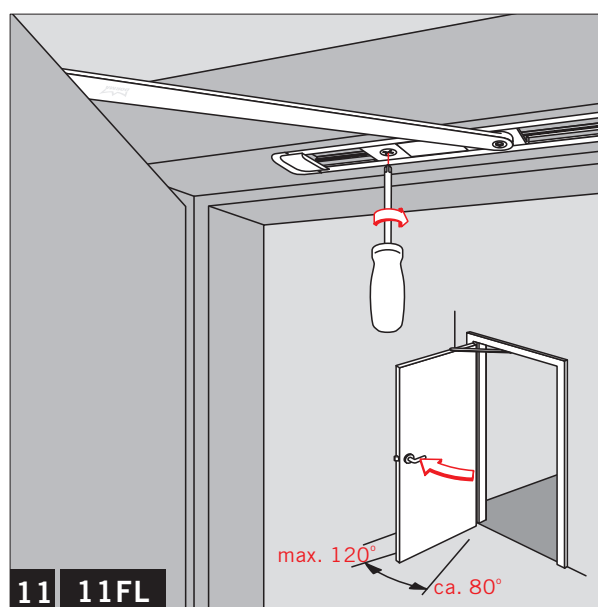
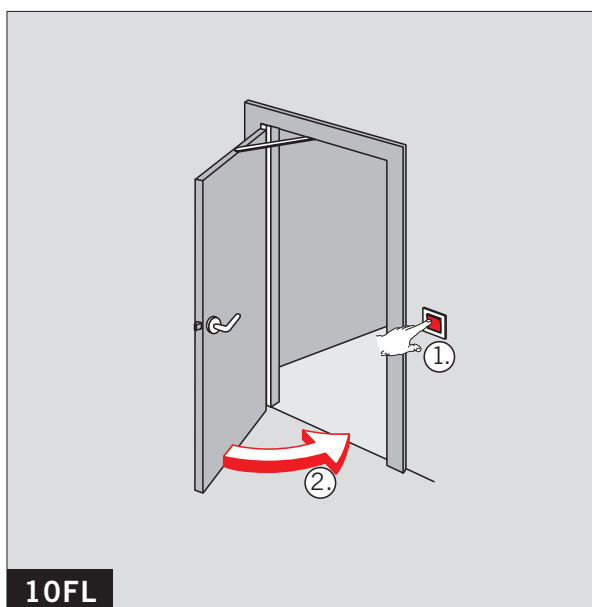
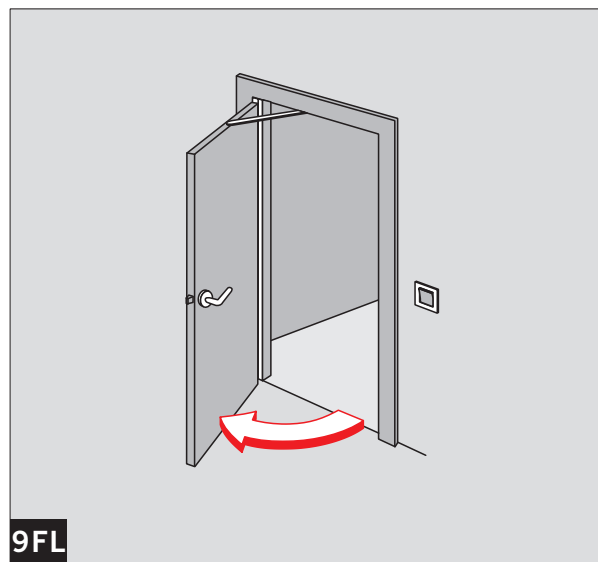
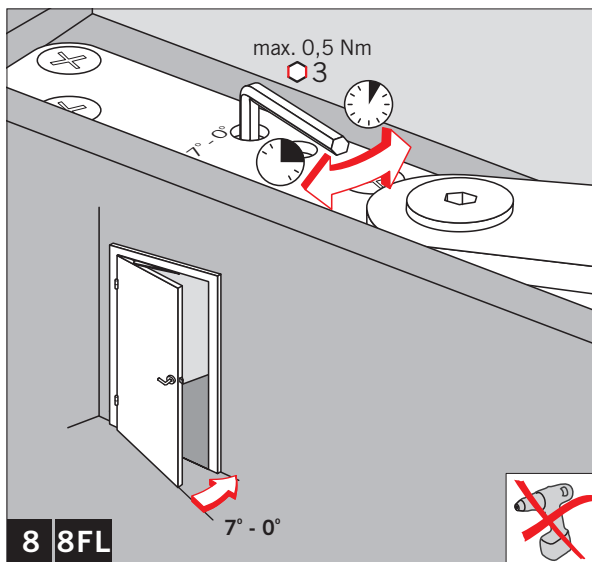
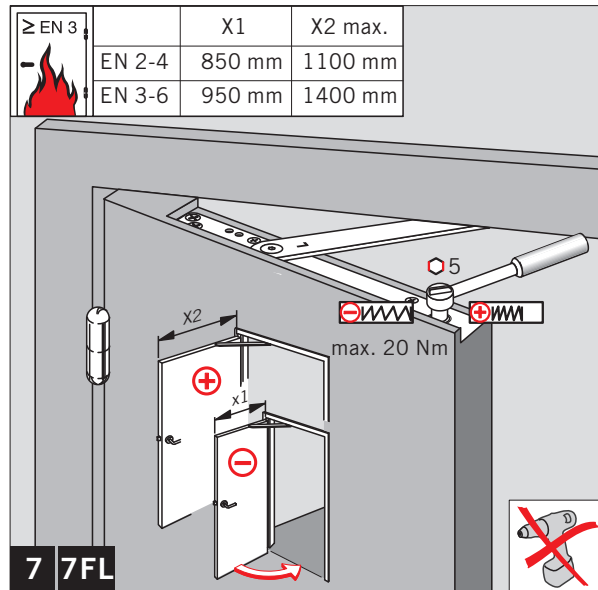
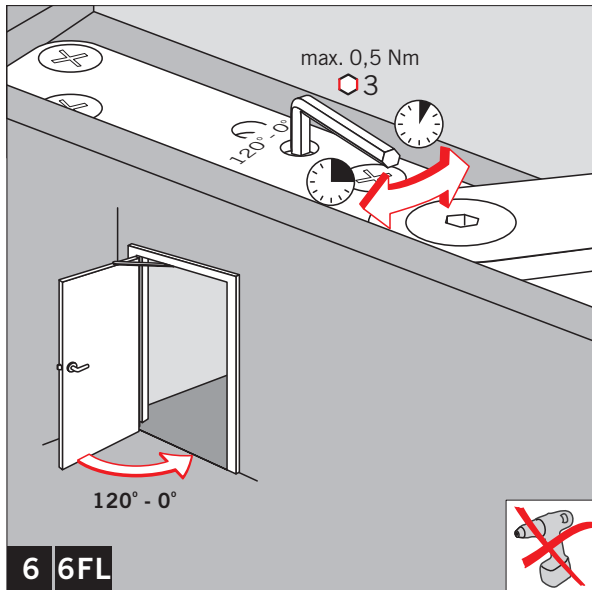


ITS 96 FL

ITS 96 / ITS 96 FL
+ G 96 N 20



ITS 96 / ITS 96 FL
+ G 96 N 20



ITS 96 / ITS 96 FL
+ G 96 N 20

Änderungen vorbehalten
Subject to change without notice